

## Important Information

## Outline Diagram

- Cooking Times**  
The cooking time depends on the condition, temperature, amount of food and on the type of cookware. Begin with the minimum cooking time to help prevent overcooking. If the food is not sufficiently cooked you can always cook it for a little longer.

**N.B.:** If the recommended cooking times are exceeded the food will be spoiled and in extreme circumstances could catch fire and possibly damage the interior of the oven.

- Small Quantities of Foods**  
Small quantities of food or foods with low moisture content can burn, dry out or catch on fire if cooked too long. If materials inside the oven should ignite, keep the oven door closed, turn the oven off and remove the plug from the socket.

- Eggs**  
Do not cook eggs in their shells and whole hard-boiled eggs by MICROWAVE. Pressure may build up and the eggs may explode, even after the microwave heating has ended.

- Piercing Skin**  
Food with non porous skins, such as potatoes, egg yolks and sausages must be pierced before cooking by MICROWAVE to prevent bursting.

- Meat Thermometer**  
Use a meat thermometer to check the degree of cooking of roasts and poultry only when the meat has been removed from the oven. Do not use a conventional meat thermometer in the microwave oven because it may cause sparking.

- Liquids**  
When heating liquids, e.g. soup, sauces and beverages in your microwave oven, overheating the liquid beyond boiling point can occur without evidence of bubbling. This could result in a sudden boil over of the hot liquid.

To prevent this possibility the following steps should be taken:

- Avoid using straight-sided containers with narrow necks.
- Do not overheat.
- Stir the liquid before placing the container in the oven and again halfway through the cooking time.
- After heating, allow it to stand in the oven for a short time, stir again before carefully removing the container.

### 7) Paper/Plastic

When heating food in plastic or paper containers, check the oven frequently as these types of containers ignite if overheated.

Do not use recycled paper products (e.g. Kitchen Roll) unless the paper product is labelled as safe for microwave oven use. Recycled paper products may contain impurities which may cause sparks and/or fires during use.

Remove wire twist-ties from roasting bags before placing the bags in the oven.

### 8) Utensils/Foil

Do not heat any closed cans or bottles because they might explode.

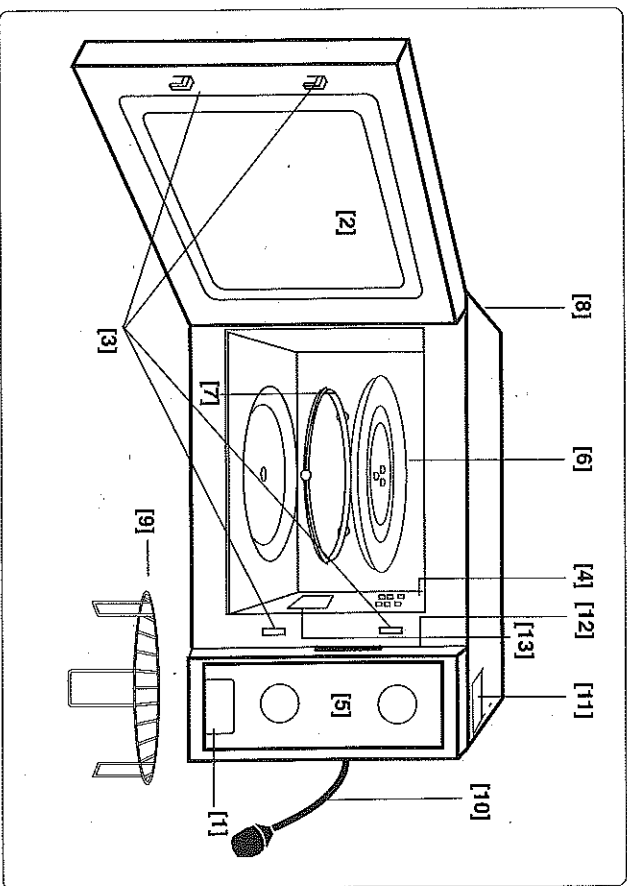
Metal containers or dishes with metallic trim should not be used during microwave cooking. Sparking will occur.

If you use any aluminium foil, meat spikes or metalware the distance between them and the oven walls and door should be at least 2 cm to prevent sparking.

### 9) Feeding Bottles/Baby Food Jars

The top and teat or lid must be removed from feeding bottles or baby food jars before placing in the oven.

The contents of feeding bottles and baby food jars are to be stirred or shaken. The temperature has to be checked before consumption to avoid burns.



- Door Release Button**  
Press to open the door. When you open the oven door during cooking, the cooking is stopped temporarily without clearing earlier made settings. Cooking continues as soon as the door is closed.
- Oven Window**
- Door Safety Lock System**
- Oven Air Vent**
- Control Panel**
- Glass Tray**
- Roller Ring**
- External Oven Air Vents**
- Wire Rack**
- Power Cord**
- Caution Label (Hot surfaces)**
- Identification Plate**
- Feed Guide (Do not remove)**

## WARNING Important Safety Instructions

1. The door seals and seal areas should be cleaned with a damp cloth.  
The appliance should be inspected for damage to the door seals and door seal areas and if these areas are damaged the appliance should not be operated until it has been repaired by a service technician trained by the manufacturer.
2. Do not attempt to tamper with or make any adjustments or repairs to the door, control panel housing, safety interlock switches or any other part of the oven. Do not remove the outer panel from the oven which gives protection against exposure to microwave energy.  
Repairs should only be done by a qualified service person.
3. Do not operate this appliance if it has a damaged CORD OR PLUG. If it is not working properly, or if it has been damaged or dropped, it is dangerous for anyone other than a service technician trained by the manufacturer to perform repair service.
4. If the supply cord is damaged, it must be replaced by the manufacturer or its service agent or a similarly qualified person in order to avoid a hazard.
5. Only allow children to use the oven without supervision when adequate instructions have been given so that the child is able to use the oven in a safe way and understands the hazards of improper use.
6. Liquids and other foods must not be heated in sealed containers since they are liable to explode. This oven is intended for household countertop use only. It is not intended for built-in use or for use inside a cabinet.
7. This appliance is not intended for use by persons (including children) with reduced physical, sensory or capabilities, or lack of experience and knowledge unless they have been given responsible for their safety. Children should be supervised to ensure that they do not play with the appliance.

### Use of your oven

1. Do not use the oven for any reason other than the preparation of food. This oven is specifically designed to heat or cook food. Do not use this oven to heat chemicals or other non-food products.
2. Before use, check that utensils/containers are suitable for use in microwave ovens.
3. Do not attempt to use this microwave oven to dry newspaper, clothing or any other materials. They may catch on fire.
4. When the oven is not being used, do not store any objects other than oven accessories inside the oven in case it is accidentally turned on.
5. The appliance shall not be operated by MICROWAVE or COMBINATION WITHOUT FOOD IN THE OVEN.  
Operation in this manner may damage the appliance.
6. If smoke or a fire occurs in the oven, turn TIMER SELECT DIAL back to zero position and leave door closed.  
Disconnect the power cord, or shut off power at fuse or circuit breaker panel.

### Heater Operation

1. Exterior oven surfaces, including air vents on the cabinet and the oven door will get hot during COMBINATION and GRILLING, take care when opening or closing the door and when inserting or removing food and accessories.
2. The oven has two heaters situated in the top of the oven. After using the COMBINATION and GRILL function, these surfaces will be very hot. Care should be taken to avoid touching the heating elements inside the oven.  
**N.B: After cooking by these modes, the oven accessories will be very hot.**
3. The accessible parts may become hot when the grill is in use. Children should be kept away.
4. When the appliance is operated in the combination mode, children should only use the oven under adult supervision due to the temperatures generated.

### Oven Light

When it becomes necessary to replace the oven light, please consult your dealer.

### Accessories

The oven comes equipped with a variety of accessories. Always follow the directions given for use of the accessories.

### Glass Tray

1. Do not operate the oven without the roller ring and the glass tray in place.
2. Never use another type of glass tray than the one specially designed for this oven.
3. If the glass tray is hot, let it cool before cleaning or placing in water.
4. The glass tray can turn in either direction.
5. If the food or cooking vessel on the glass tray touches the oven walls and stops the tray rotating, the tray will automatically rotate in the opposite direction. This is normal.
6. Do not cook foods directly on the glass tray.

### Roller Ring

1. The roller ring and the oven floor should be cleaned frequently to prevent noise and build-up of remaining food.
2. The roller ring must always be used for cooking together with the glass tray.

### Wire Rack

1. The Wire Rack is used to facilitate browning of small dishes and help with the good circulation of the heat.
2. Do not use any metal container directly on the Wire Rack in COMBINATION with MICROWAVE.
3. Do not use the Wire Rack in MICROWAVE mode only.